



FWFO.EWS0019 Exterior Wall Systems

[Page Bottom](#)

FWFO - Exterior Wall Systems

[See General Information for Exterior Wall Systems](#)

System No. EWS0019

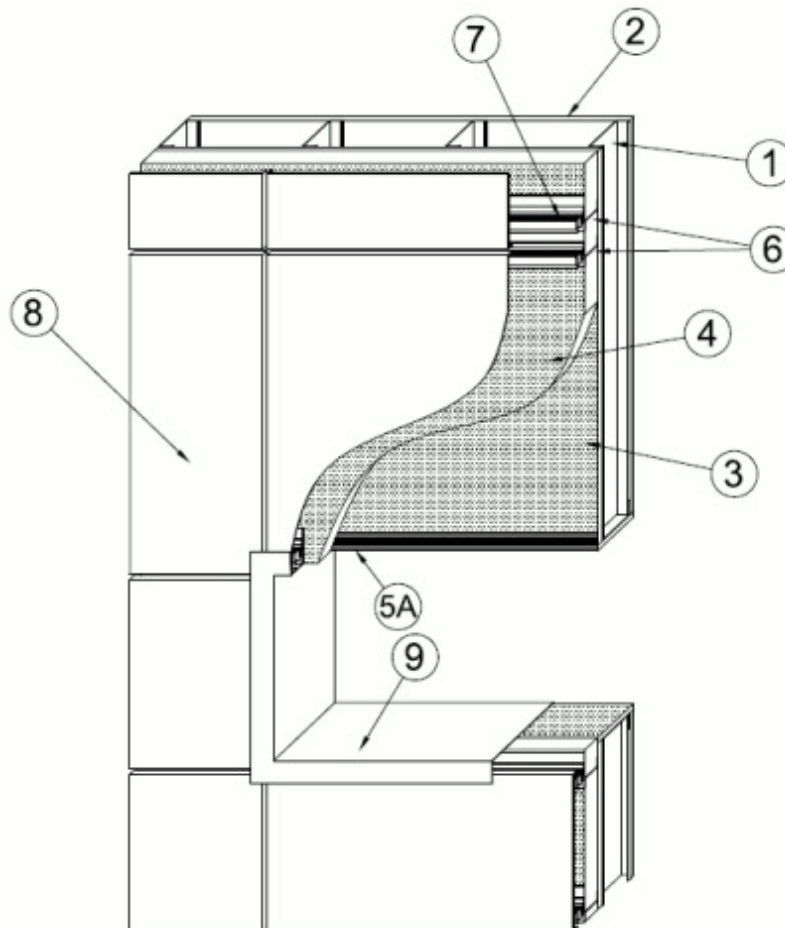
October 04, 2016

ASTM E2357 - 0.029 cfm/ft² (0.015 l/s•m²) @ 75 Pa (1.57 psf) - Category 1 (when using Item 3B)

ASTM E2357 - 0.001 cfm/ft² (0.004 l/s•m²) @ 75 Pa (1.57 psf) - Category 1 (when using Item 3C)

ASTM E331 - 2 Hr @ 300 Pa (6.27 psf) (when using Item 3B or 3C)

Exterior Wall System



1. Steel Studs — Min 3-5/8 in. (92 mm) deep, formed of min 16 ga. galv steel spaced max 16 in. (406 mm) OC. Additional studs to be used to completely frame window openings.

2. Interior Gypsum Board (BWFR)* — Min 5/8 in. (16 mm) thick, 4 ft (1.2 m) wide, attached to steel studs with 1 in. (25 mm) long, Type S steel screws spaced max 8 in. (203 mm) OC. Joints oriented vertically and covered with paper tape and joint compound. Screw heads covered with joint compound.

UNITED STATES GYPSUM CO — Type SCX

3. Exterior Wall System Component — Exterior Gypsum Sheathing (FWFX)* — Exterior-grade glass mat sheathing gypsum board with air barrier sealant factory applied. Minimum 5/8 in. (16 mm) thick, attached to steel studs with 1 in. (25 mm) long, Type S steel screws spaced max 8 in. (203 mm) OC. Joints oriented vertically or horizontally. Additional sheathing to be used to line framed window openings.

UNITED STATES GYPSUM CO — Types USGX, SECUROCK® ExoAir® 430 Panel

3A. Exterior Wall System Component — Sealant* — (Not Shown) — Sealant applied to all exterior sheathing joints.

3B. Exterior Wall System Component (optional) — Combustible Air and Vapor Barrier* — As an alternate to joint sealant (Item 3A), self-adhered barrier applied to cover joints and screw heads of the exterior sheathing gypsum board (Item 3). May also be applied to entirely cover the exterior sheathing gypsum board (Item 3) with min 2 in. (51 mm) vertical or horizontal overlap between layers.

TREMCO INC — ExoAir 111

3C. Exterior Wall System Component (optional, not shown) — Combustible Air and Vapor Barrier* — As an alternate to joint sealant (Item 3A), self-adhered barrier applied to cover joints and screw heads of the exterior sheathing gypsum board (Item 3). May also be applied to entirely cover the exterior sheathing gypsum board (Item 3) with min 2 in. (51 mm) vertical or horizontal overlap between layers.

TREMCO INC — ExoAir 110AT

4. Foam Insulation (BRYX)* — Nom 4 by 8 ft (1.2 by 2.4 m) by max 2 in. (51 mm) thick wide foil faced polyisocyanurate insulation secured to gypsum sheathing with min No. 8 by 3-1/2 in. (89 mm) self-tapping steel screws in conjunction with 2 in. (51 mm) diameter steel washers.

DOW CHEMICAL CO — Thermax

5. Window Flashing Materials — (Optional) — The following items may be used as window flashing materials:

A. Exterior Wall System Component — Window Flashing Material* — Nom 6 in. (152 mm) wide extruded silicone rubber flashing attached to gypsum sheathing with sealant (Item 5B) to completely frame window opening.

TREMCO INC — Proglaze ETA

B. Exterior Wall System Component — Sealant* — (Not Shown) — Sealant applied to all edges of window flashing material to adhere flashing to gypsum sheathing.

TREMCO INC — Spectrem 1

6. Steel Z Channel — Nom 1 by 2 by 1 in. (25 by 51 by 25 mm) Z channel formed of min 16 ga. galvanized steel secured to steel studs through sheathing prior to installation of foam insulation (Item 4) with min 5/16 in. (8 mm) diam self-tapping steel screws. Z channels installed horizontally and located at the top and bottom of each exterior panel (Item 8) for attachment of mounting system (Item 7).

7. Mounting System — Extruded aluminum mounting system secured to Z channels with min 5/16 in. (8 mm) diam self-tapping steel screws spaced max 16 in. (406 mm) OC. Installed horizontally and located at the top and bottom of each exterior panel (Item 8) for securement of exterior panels.

NOW SPECIALTIES INC — NOW 4200 Route and Return Dry System

8. Exterior Panels — Nom 36 in. (914 mm) wide by 1 in. (25 mm) deep, 0.157 in. (4 mm) thick aluminum composite material panel system secured to mounting system in accordance with the mounting system manufacturer's installation instructions.

ALCOA INC — Reynobond FR

8A. Exterior Panels (FWFX)* — (As an alternate to Item 8) — Nom 36 in. (914 mm) wide by 1 in. (25 mm) deep, 0.157 in. (4 mm) thick aluminum composite material panel system secured to mounting system in accordance with the mounting system manufacturer's installation instructions.

3A COMPOSITES USA INC — Alucobond Plus

9. Steel Flashing — Formed of min 22 ga. steel. Formed to completely line window opening and overlap onto both surfaces of the wall assembly a min 1/2 in. (13 mm).

10. Mineral Wool — (Not Shown) — Nom 4 pcf (64 kg/m³), 4 in. (102 mm) minimum thickness of mineral batt insulation installed within each wall stud cavity at each floor line held in place with any standard installation method.

*** Indicates such products shall bear the UL or cUL Certification Mark for jurisdictions employing the UL or cUL Certification (such as Canada), respectively.**

Last Updated on 2016-10-04

[Questions?](#)

[Print this page](#)

[Terms of Use](#)

[Page Top](#)

© 2018 UL LLC

The appearance of a company's name or product in this database does not in itself assure that products so identified have been manufactured under UL's Follow-Up Service. Only those products bearing the UL Mark should be considered to be Certified and covered under UL's Follow-Up Service. Always look for the Mark on the product.

UL permits the reproduction of the material contained in the Online Certification Directory subject to the following conditions: 1. The Guide Information, Assemblies, Constructions, Designs, Systems, and/or Certifications (files) must be presented in their entirety and in a non-misleading manner, without any manipulation of the data (or drawings). 2. The statement "Reprinted from the Online Certifications Directory with permission from UL" must appear adjacent to the extracted material. In addition, the reprinted material must include a copyright notice in the following format: "© 2018 UL LLC".