



FWFO.EWS0009 Exterior Wall Systems

[Page Bottom](#)

FWFO - Exterior Wall Systems

[See General Information for Exterior Wall Systems](#)

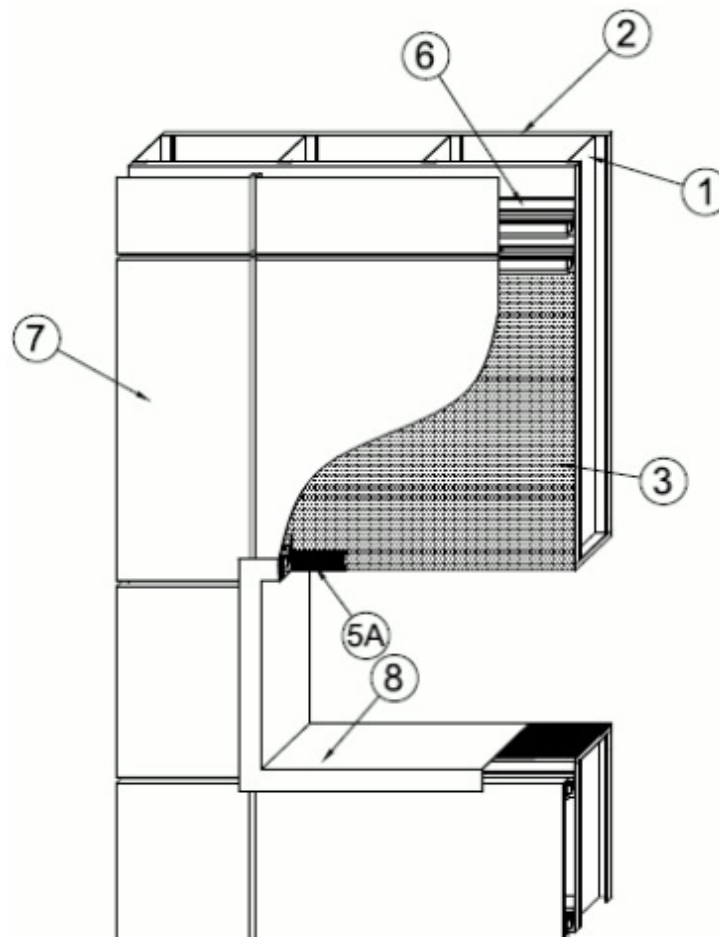
System No. EWS0009

July 07, 2016

ASTM E2357 - 0.029 cfm/ft² (0.015 l/s•m²) @ 75 Pa (1.57 psf) - Category 1

ASTM E331 - 2 Hr @ 300 Pa (6.27 psf)

Exterior Wall System



1. Steel Studs — Min 3-5/8 in. (92 mm) deep, formed of min 16 ga. galv steel spaced max 16 in. (406 mm) OC. Additional studs to be used to completely frame window openings.

2. Interior Gypsum Board (CKNX)* — Min 5/8 in. (16 mm) thick, 4 ft (1.2 m) wide, attached to steel studs with 1 in. (25 mm) long, Type S steel screws spaced max 8 in. (203 mm) OC. Joints oriented vertically or horizontally and covered with paper tape and joint compound. Screw heads covered with joint compound.

UNITED STATES GYPSUM CO — Type SCX

3. Exterior Wall System Component — Exterior Gypsum Sheathing (FWFX)* — Exterior-grade glass mat sheathing gypsum board with air barrier sealant factory applied. Minimum 5/8 in. (16 mm) thick, attached to steel studs with 1 in. (25 mm) long, Type S steel screws spaced max 8 in. (203 mm) OC. Joints oriented vertically or horizontally.

UNITED STATES GYPSUM CO — Type USGX, SECUROCK® ExoAir® 430 Panel

3A. Exterior Wall System Component — Sealant* — (Not Shown) — Sealant applied to all exterior sheathing joints and screw heads.

TREMCO INC — Tremflex 834 or Dymonic 100

4. Furring Channels — (Not Shown) — Resilient furring channels, hat shaped, formed of No. 16 gauge galv steel. 1-1/4 in. (32 mm) wide by 2-1/4 in. (57 mm) deep, installed horizontally over the exterior surface of the gypsum sheathing (Item 3) at heights corresponding to the top and bottom edge of the exterior panels (Item 7). Furring channels attached to each intersecting stud with hex head, self drilling min #12-14 by 2 in. (51 mm) long steel screws.

5. Window Flashing Materials — (Optional) — The following items may be used as window flashing materials:

A. Exterior Wall System Component — Window Flashing Material* — Nom 6 in. (152 mm) wide extruded silicone rubber flashing attached to gypsum sheathing with sealant (Item 5D) to completely frame window opening.

TREMCO INC — Proglaze ETA

B. Exterior Wall System Component — Sealant* — (Not Shown) — Sealant applied to all edges of window flashing material to adhere flashing to gypsum sheathing and use to attach stiffeners to back of exterior panels.

TREMCO INC — Spectrem 1

6. Mounting System — Extruded aluminum mounting system with horizontally oriented extrusions secured to furring channels with hex head, self drilling min #10-16 by 3/4 in. (19 mm) long steel screws spaced max 16 in. (406 mm) OC. Backer extrusions installed vertically at locations corresponding to vertical edges of exterior panels (Item 7).

NOW SPECIALTIES INC. — NOW 8200 Rain Screen System

7. Exterior Panels — Nom 36 in. (914 mm) wide by 1 in. (25 mm) deep, 0.157 in. (4 mm) thick aluminum composite material panel system secured to mounting system in accordance with the mounting system manufacturer's installation instructions. Panels shall have a vertically oriented stiffeners attached to their back side, spaced 20 in. (508 mm) OC, attached with sealant (Item 5B).

ALCOA INC. — Reynobond FR

7A. Exterior Panels (FWFX)* — (As an alternate to Item 7) — Nom 36 in. (914 mm) wide by 1 in. (25 mm) deep, 0.157 in. (4 mm) thick aluminum composite material panel system secured to mounting system in accordance with the mounting system manufacturer's installation instructions. Panels shall have a vertically oriented stiffeners attached to their back side, spaced 20 in. (508 mm) OC, attached with sealant (Item 5B).

3A COMPOSITES USA INC — Alucobond Plus

8. Steel Flashing — Formed of min 24 ga. steel. Formed to completely line window opening and overlap onto both surfaces of the wall assembly a min 1/2 in. (13 mm).

9. Mineral Wool — (Not Shown) — Nom 4 pcf (64 kg/m³), 1 in. (25 mm) thick mineral batt insulation installed within each wall stud cavity at each floor line, held in place with standard type, steel Z clips spaced max 24 in. OC.

*** Indicates such products shall bear the UL or cUL Certification Mark for jurisdictions employing the UL or cUL Certification (such as Canada), respectively.**

Last Updated on 2016-07-07

[Questions?](#)

[Print this page](#)

[Terms of Use](#)

[Page Top](#)

© 2018 UL LLC

The appearance of a company's name or product in this database does not in itself assure that products so identified have been manufactured under UL's Follow-Up Service. Only those products bearing the UL Mark should be considered to be Certified and covered under UL's Follow-Up Service. Always look for the Mark on the product.

UL permits the reproduction of the material contained in the Online Certification Directory subject to the following conditions: 1. The Guide Information, Assemblies, Constructions, Designs, Systems, and/or Certifications (files) must be presented in their entirety and in a non-misleading manner, without any manipulation of the data (or drawings). 2. The statement "Reprinted from the Online Certifications Directory with permission from UL" must appear adjacent to the extracted material. In addition, the reprinted material must include a copyright notice in the following format: "© 2018 UL LLC".

